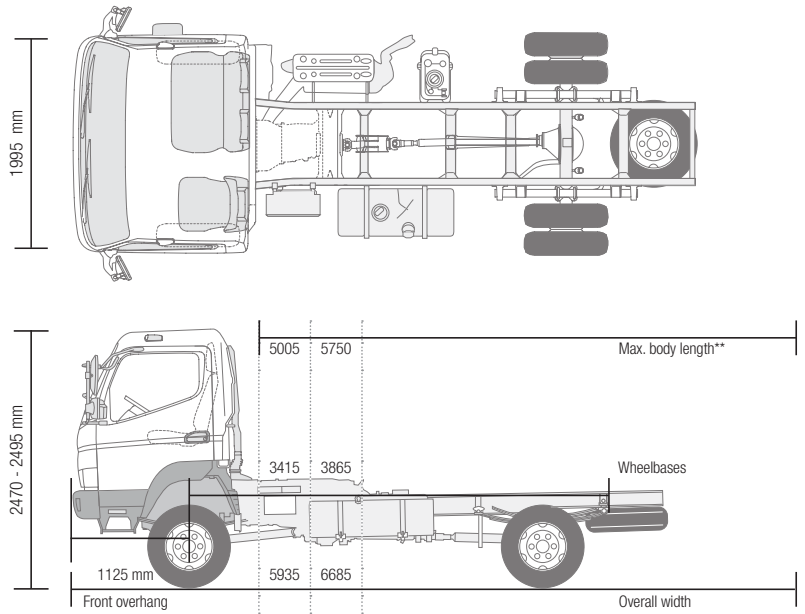




CANTER 6C18 (D) 4x4



Mass/Dimensions

Model	Vehicle type	6C18 4x4		6C18D 4x4	
	Cab type / Crew	Wide, Single / 3		Wide, Double / 7	
	MB model code	46831512	46831712	46831514	46831714
	FUSO model code	FGB71EL4SEAU	FGB71GL4SEAU	FGB71EL4WEAU	FGB71GL4WEAU

DIMENSIONS mm

Wheelbase		3415	3865	3415	3865
Overall length		5935	6685	5935	6685
Cabin length		1625		2625	
Overall width		2025			
Cabin width		1995			
Overall height		2475	2470	2495	2490
Tread	Front / Rear	1665 / 1560			
Frame height (back of chassis)		890	895	890	
Cab to rear axle		2890	3340	1890	2340
Cab to frame end		4285	5035	3285	4035
Max. body length**		5005	5750	4005	4750
Frame width		750			
Front overhang		1125			
Rear overhang (to frame end)		1395	1695	1395	1695
Front axle to beginning of body		625		1625	
Recommended cab to body gap		100			

WEIGHTS kg

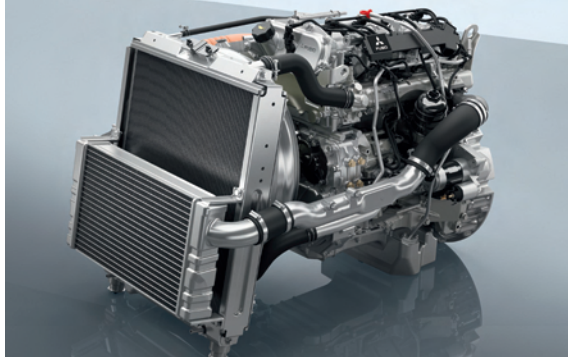
Total curb weight*		2815	2835	3035	3055
	VFront* / Rear*	1855	960	1870	965
		1990	1045	2015	1040
Minimum vehicle weight		2900		3100	
Max. GVW / Max. GCW		6500 / 10000			
Axle loads	Front / Rear	2800 / 6000			
Trailing load	Braked / Non-braked	3500 / 750			
Chassis Payload		3685	3665	3465	3445

CALCULATED PERFORMANCE

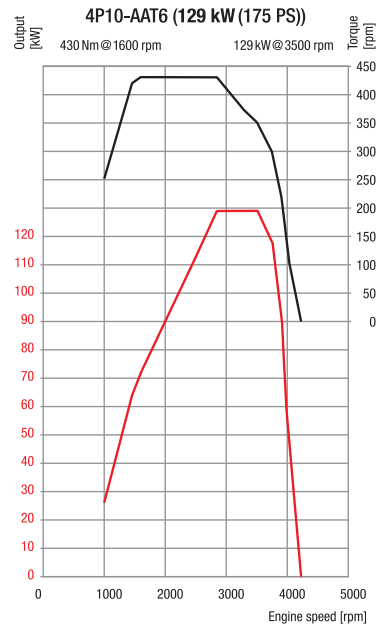
Max. speed w/o speed limiter	km/h	130			
Max. gradeability	(tan q)%	39			
Min. turning radius (m)	Curb to curb	13.5	15.1	13.5	15.1
	wall to wall	14.9	16.5	14.9	16.5

GROUND CLEARANCE AND APPROACH-/DEPARTURE-ANGLE

Ground clearance underneath axles	Front / Rear	210 / 185			
Approach angle		35°			
Departure angle		25°			



CANTER 6C18 (D) 4x4



Engine/Drive Line/Chassis

ENGINE (Euro VI)		
Model		4P10-AAT6
Type	4 stroke, turbo-charged water cooled direct injection diesel engine with intercooler	
No. of cylinders	4 in line	
Piston displacement	2998 cm ³	
Max. output (EEC)	129 kW (175 PS) / 3500 rpm	
Max. torque (EEC)	430 Nm / 1600 rpm	
Diesel particulate filter	Life span appr. 300000 km	
Alternator	A.C. 12 Volt, 140 Amp	
Emissions aftertreatment	EGR + SCR + DPF	
Emissions level	Euro VI	
PTO (as option)	Type	31 kW with flange 31kW for direct connected pumps
	Torque at max power	196 Nm
	PTO Ratio	1:0.644 1:0.638
	PTO speed at max power	1500 rpm

DRIVE LINE

Transmission	Model	M038S5 (Manual transmission)
	Type	Manual, 5 forward and 1 reverse speed
	Gear ratio	5.494 - 3.193 - 1.689 - 1.000 - 0.723 Rev. 5.494
Final reduction gear	Ratio	4.875

CHASSIS

Front axle / Rear axle	Model	F200TW / R035T
	Rating	2800 kg / 6000 kg
Tyre		205/75R17.5C 124/122 M
		Single front, dual rear, optimized rolling resistance tyres
Wheel		17.5 x 6.00 - 127 - 9t - 6 Stud
Steering		Left hand drive
		Steering bevel gear and power steering with rack & pinion gear, tilt and telescopic column with steering lock
Brake	Service	Hydraulic vacuum assisted 2 circuit split system
	Front / Rear	Drum (320 x 75,2L) / Drum (320 x 110)
	Parking	Mechanical, internal expanding type mounted on the rear end of the transmission case
	Auxiliary	Exhaust brake (50 kW)
Suspension	Front / Rear	Semi-elliptic laminated leaf spring with shock absorbers and stabilizer
Frame	Type	C-Profile ladder frame
Fuel tank capacity		100 l
Electrical system – batteries		12 Volts (100 AH - 760 A(EN))